



## T4108

Telehandler



### Technical specifications

#### Engine data

Manufacturer	Yanmar
Engine type	3TNV76
Cylinders	3
Engine performance (max.)	19.2 ( 26 ) kW (hp)
at rpm (max.)	3,000 rpm
Cubic capacity	1,116 cm <sup>3</sup>
Cooling system	Water



## Electrical system

Operating voltage	12 V
Battery	77 Ah
Alternator	55 A

## Weights

Operating weight (standard)	2,270 kg
Payload (max.)	800 kg

## Vehicle data

Axle	PAL 1,155
Cab (optional)	FSD (cab)
Ground speed	0 - 17 km/h
Speed stages	2
Fuel tank capacity	39 l
Hydraulic oil tank capacity	40 l
Total carriage rotation angle	148 °
Total pivoting angle	14 °
Steering angle (max.)	2 x 38 °
Lifting cylinder: raise / lower	5.0 / 3.6 sec
Extension cylinder: extend / retract	3.5 / 1.9 sec
Tipping cylinder: crowd / tilt	2.3 / 1.7 sec

## Hydraulic system

External services - Operating pressure	330 bar
Steering hydraulics - Oil flow	33 l/min
Steering hydraulics - Operating pressure	220 bar

## Drive

Type of drive	Hydrostatic
Traction drive	Universal joint shaft



## Noise values

Guaranteed sound power level L <sub>wA</sub>	103 dB(A)
Specified sound pressure level L <sub>pA</sub>	84 dB(A)

FSD = canopy

Second values measured without vls (vertical lift system)

## Vibrations (weighted average effective value)

**Hand-arm vibrations:** The hand-arm vibrations are no more than 2.5 m/s<sup>2</sup>**Whole body vibrations:** This machine is equipped with a driver's seat that meets the requirements of EN ISO 7096:2000.When the loader is properly used, the whole body vibrations vary from below 0.5 m/s<sup>2</sup> up to a short-term maximum value.

It is recommended to use the values specified in the table when calculating the vibration values according to ISO/TR 25398:2006. At the same time the actual use conditions have to be taken into consideration.

telehandlers, like wheeled loaders, are to be classified by operating weight.

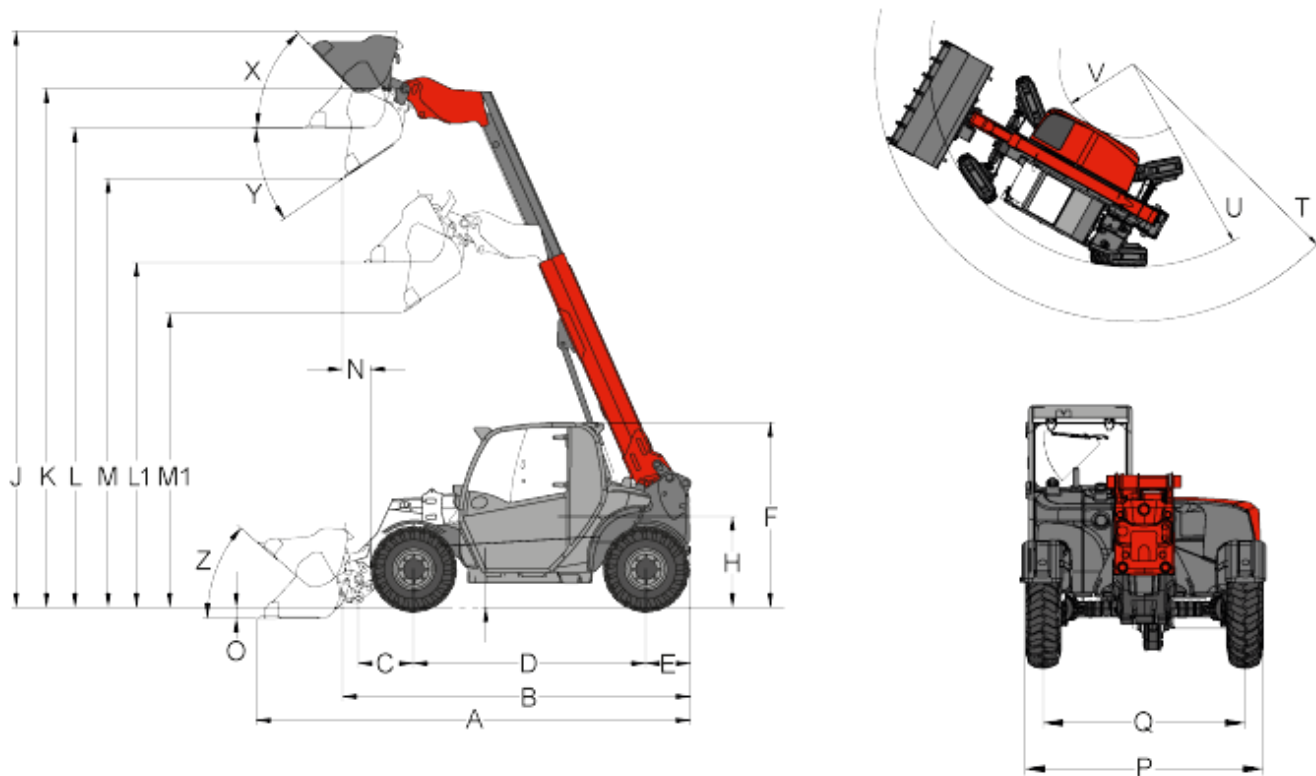
Type of loader	Typical operating conditions	Average value			Standard deviation (s)		
		1.4*a <sub>w,eqx</sub>	1.4*a <sub>w,eqy</sub>	a <sub>w,eqz</sub>	1.4*s <sub>x</sub>	1.4*s <sub>y</sub>	s <sub>z</sub>
		[m/s <sup>2</sup> ]	[m/s <sup>2</sup> ]	[m/s <sup>2</sup> ]	[m/s <sup>2</sup> ]	[m/s <sup>2</sup> ]	[m/s <sup>2</sup> ]
Compact wheeled loader (operating weight < 4,500 kg)	Load & carry (load and transport work)	0.94	0.86	0.65	0.27	0.29	0.13
wheeled loader (operating weight > 4,500 kg)	Load & carry (load and transport work)	0.84	0.81	0.52	0.23	0.2	0.14
	Application in extraction (harsh application conditions)	1.27	0.97	0.81	0.47	0.31	0.47
	Transfer drive	0.76	0.91	0.49	0.33	0.35	0.17
	V-operation	0.99	0.84	0.54	0.29	0.32	0.14



**T4108**

Telehandler

**Dimensions**



Standard tyres 27 x 10.0 - 15 AS ET20

A	Total length	3,554 mm
B	Total length (without bucket)	2,717 mm
C	Axle middle to bucket pivot pin	406 mm
D	Wheelbase	1,796 mm
E	Rear overhang	343 mm
F	Height to top of overhead guard fixed	1,900 mm
	Height to top of cabin	1,900 mm
H	Seat top height	914 mm



J	Total working height	4,737 mm
K	Height of bucket pivot (max.)	4,145 mm
L1	Load-over height Retracted telescopic arm	2,725 mm
L	Load-over height Extended telescopic arm	3,799 mm
M1	Dumping height Retracted telescopic arm	2,244 mm
M	Dumping height Extended telescopic arm	3,318 mm
N	Operating distance for M	533 mm
O	Digging depth	114 mm
P	Total width	1,413 mm
Q	Track width	1,252 mm
S	Ground clearance	223 mm
T	Maximum radius external	3,034 mm
U	Radius at the outer edge	2,227 mm
V	Inside turning radius	595 mm
X	Rollback angle at max. lifting height	52 °
Y	Dumping angle (max.) (max.)	32 °
Z	Rollback angle (on the ground)	44 °

All values with a standard bucket and standard tyres



## **T4108**

Telehandler

### **Standard features**

#### **Engine**

- Yanmar 3TNV76 (19.2 kW / 26 hp)

#### **Drive**

- Planetary axle PAL 1155
- Hydrostatic all-wheel drive, travel direction can be selected via joystick
- Service brake: Hydrostatic drive system acting on all 4 wheels (wear-free)
- Central service and parking brake in the drive train acting on all 4 wheels
- tyres 27 x 10.0 - 15.3 AS ET20

#### **Steering system**

- Hydraulic all-wheel steering, steering angle 2 x 38°

#### **Hydraulics**

- 3rd Control circuit front DN10
- Hydraulic oil cooler
- VLS (Vertical Lift System)

#### **Driver's cab**

- Canopy with retaining system ROPS / FOPS tested, window on right side
- Comfort seat with safety belt and air cushioning
- Joystick with direction control switch and integrated touch button for telescoping function

#### **Other**

- Operating hour meter
- battery isolator switch
- Fuel display
- Mechanical quick-change system for attachments



## **T4108**

Telehandler

### **Options**

#### **Engine**

- Manual throttle
- Engine pre-heating

#### **Driver's cab**

- Front window complete with wiper
- Complete rear window
- Cabin, including heating and ventilation
- Adjustable steering column
- Air-suspended comfort seat

#### **Lighting**

- Working lights, 2 front, 1 rear
- Working light, 1 on telescopic arm
- LED working lights, 2 front, 1 rear
- LED working light, 1 on telescopic arm
- Lighting according to StVZO, including 7-pin plug receptacle
- rotating beacon

#### **Axles / drive**

- 100% differential lock (front and rear axle)
- Hand inching (creep speed controller)

#### **Hydraulics**

- Unpressurised reflux (front)
- 3rd comfort control circuit
- Reversing valve in front on 3rd control circuit (3rd control circuit with 4 connections)
- Faster plug-in connector (machine or attachment side)
- Notch for joystick (single / double)
- Hydraulic connection in rear (single-acting or dual-acting)

#### **Electrical connections**

- Plug receptacle in front, triple-pole (dual function)

#### **Other**

- Hydraulic quick-change system for attachments
- back-up alarm
- Stacker coupling hitch device
- Hitch device "Rockinger"
- Hand lever grease gun
- Tool box
- Technical Inspection Authority expert's report
- Central lubrication system
- custom-made paintwork



**Please note**

that product availability can vary from country to country. It is possible that information / products may not be available in your country. Photos may depict options. Subject to change without notice. Errors and omissions are reserved. The contractual agreement is expressly decisive. More detailed information on engine power can be found in the operator's manual; the stated power may vary due to specific operating conditions.

Subject to alterations and errors excepted. Applicable also to illustrations.

Copyright © 2017 Weidemann GmbH.